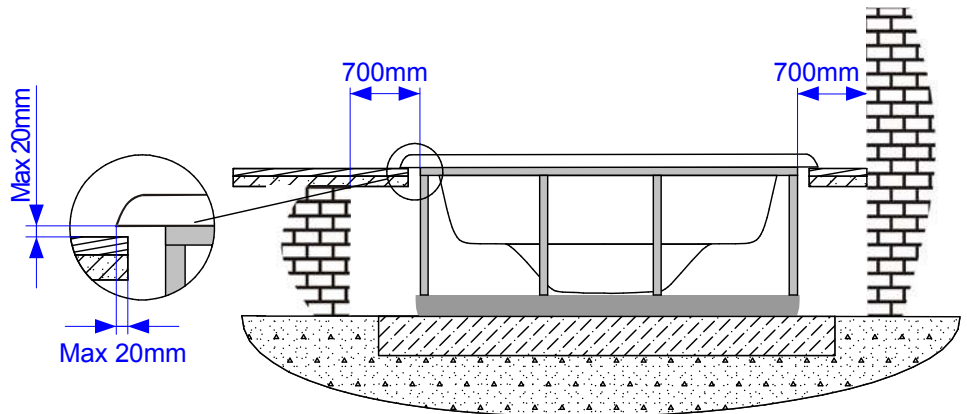
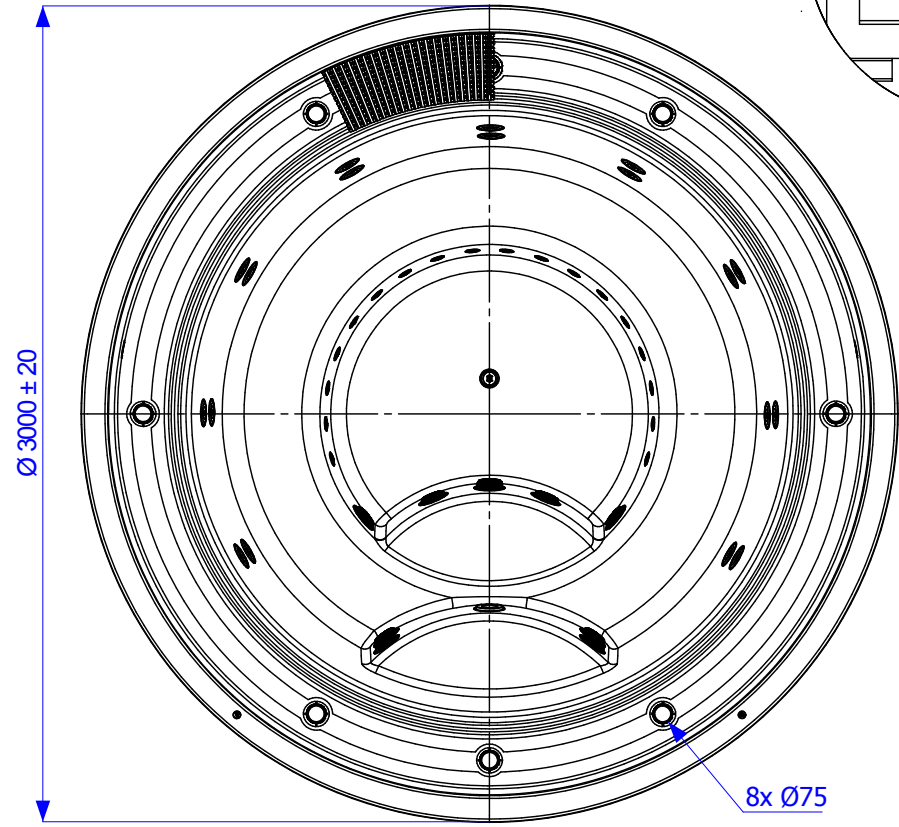


WARNING:
It's essential to keep a minimum clearance access of 700 mm all around.



↑ ↑
HYDRAULIC CONNECTIONS ACCESS

DRAWN OLEG DODOROV	2018-06-06
CHECKED	
QA	
APPROVED	

TITLE		
Sunset Spa by Aquatica		
SIZE C	DWG NO	REV
SCALE		SHEET 1 OF 1